

FAN-28

EXTRACTION FAN

The FAN-28 is a wall-mounted extraction fan that provides extraction for T-Flex, T-Flex/CW, Flex and UltraFlex extraction arms with or without filtration. It needs to be mounted on a separate wall bracket.



APPLICATIONS

The FAN-28 is intended to be used for the following applications:

- MIG-MAG/GMAW welding
- TIG welding
- FCAW welding
- stick/MMAW welding



Do **not** use the FAN-28 for the following applications or in the following circumstances:

- arc-air gouging
- aluminium laser cutting
- extraction of aggressive fumes and gases (e.g. from acids, from alkaline, from soldering paste containing lithium)
- extraction of hot gases (more than 45°C/113°F continuously)
- grinding aluminum and magnesium
- flame spraying
- extraction of cement, saw dust, wood dust etc.
- sucking cigarettes, cigars, oiled tissues and other burning particles, objects and acids
- explosive environments or explosive substances/gases



SPECIFICATIONS

Physical dimensions and properties

Material housing	polypropylene
Colour:	
• Housing	• grey RAL 7024
• Motor	• black RAL 9005
Inlet diameter	Ø 200 mm (Ø 7.87 in.)
Outlet diameter	Ø 160 mm (Ø 6.30 in.)
Weight (net)	15 kg (33 lbs.)

Performance

Fan type	radial
Unrestricted airflow	2400 m³/h (1413 CFM)
Speed	2800 rpm
Noise level	69 dB(A) according to ISO 3746

Electrical data

Power consumption	0,75 kW (1 HP)
-------------------	----------------

Available connection voltages	115V/1~/50Hz; 230V/1~/50Hz; 230V/3~/50Hz; 400V/3~/50Hz; 230V/1~/60Hz; 230V/3~/60Hz; 400V/3~/60Hz
-------------------------------	--

Max. start/stops per hour	30
---------------------------	----

Insulation class	F
------------------	---

Protection class	IP 55
------------------	-------

Ambient conditions

Operating temperature:	
• Min.	• 5°C (41°F)
• Nom.	• 20°C (68°F)
• Max.	• 45°C (113°F)

Max. relative humidity	80%
------------------------	-----

Outdoor use allowed	no
---------------------	----

Storage conditions	• 5-45°C (41-113°F) • relative humidity max. 80%
--------------------	---

Product combinations

T-Flex	telescopic extraction arm
T-Flex/CW	telescopic extraction arm
Flex-2/3/4	flexible extraction arm
UltraFlex-3/4	ultraflexible extraction arm
TNB/NMB	wall mounting bracket

Available options

SAS-160	silencer; noise reduction 5 dB(A)
---------	-----------------------------------

Motor protection switch:	FAN-28:
• MPS 10.0-16.0 A	• 115V/1~/50-60Hz
• MPS 4.0-6.3 A	• 230V/1~/50Hz
• MPS 2.5-4.0 A	• 230V/3~/50Hz
• MPS 1.6-2.5 A	• 400V/3~/50Hz

Thermal relay:	FAN-28:
• NTR 10.0 -14.0 A	• 115V/1~/50-60Hz
• NTR 4.0-6.3 A	• 230V/1~/50Hz
• NTR 3.0-4.7 A	• 230V/3~/50Hz
• NTR 1.7-2.4 A	• 400V/3~/50Hz

Scope of supply

Fan - Hardware	
----------------	--

Order information

Article numbers:	<ul style="list-style-type: none"> • 7905220020 • 7905220010 • 7905220050 • 7905220040 • 7905222030 • 7905222020 • 7905222040
	<ul style="list-style-type: none"> • FAN-28 115V/1~/50Hz • FAN-28 230V/1~/50Hz • FAN-28 230V/3~/50Hz • FAN-28 400V/3~/50Hz • FAN-28 230V/1~/60Hz • FAN-28 230V/3~/60Hz • FAN-28 400V/3~/60Hz

Number/package	1
----------------	---

Shipping data

Gross weight	18 kg (39.7 lbs.)
Packing dimensions	
Max. number/pallet	10
Harmonized Tariff Code	8414.5940.90
Country of origin	the Netherlands

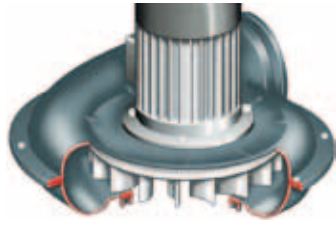
APPROVALS/CERTIFICATES



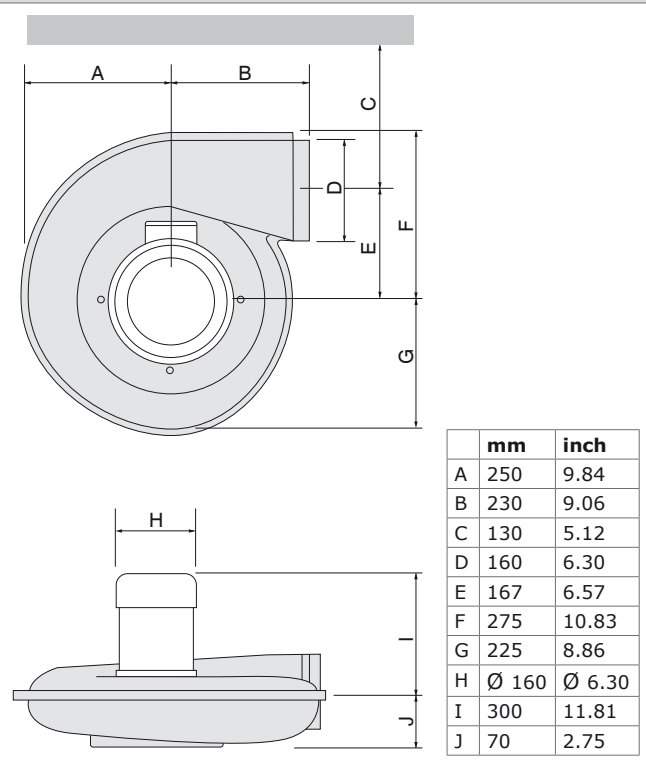
Directive 2011/65/EC (RoHS)
valid as of 8 June 2011

FEATURES

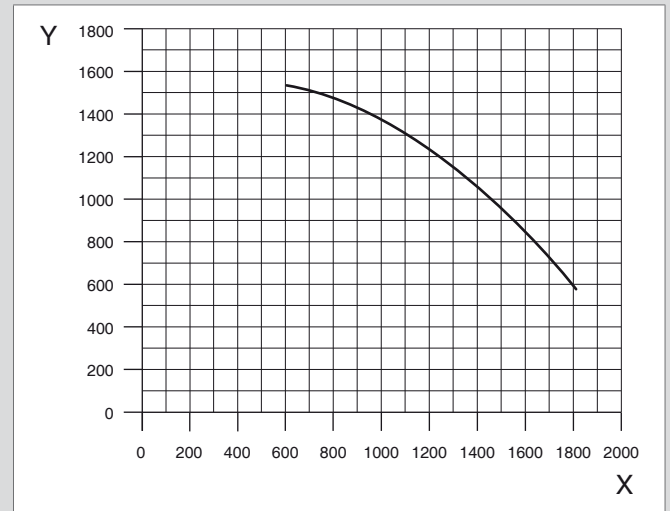
Radial fan wheel



DIMENSIONS



FAN CURVE



X = Airflow (m³/h)

Y = Static pressure (Pa)

Product type

FAN-28

Article no.

refer to order information

Product category

extraction fans

Version

100912/E

Always check the latest version on www.plymovent.com.